

# BR KNIFE GATE VALVE



The BR model knife gate valve is a bi-directional wafer type valve designed for general industrial service applications. The design of the body and the seat assures non-clogging shut off on suspended solids in various industries such as Pulp & Paper, Wastewater Treatment Plants, Food & Beverage, Power Plants, Mining, Chemical Plants, Etc.

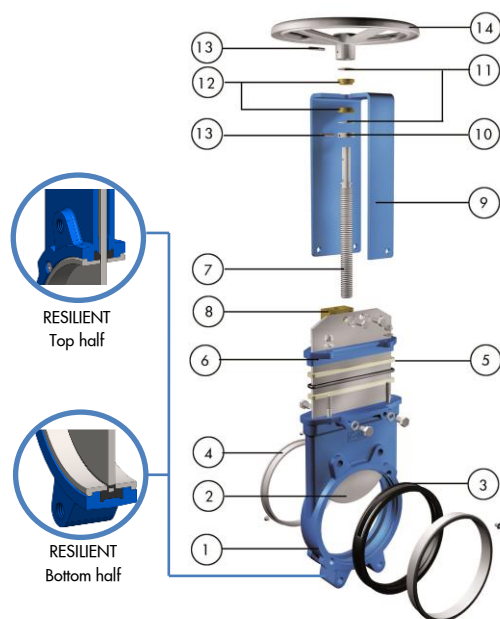
## Product description:

- Bi-directional wafer type knife gate valve
- Size range of DN 50-600 (larger sizes upon request). See Dimension Charts for pressure rating
- Non-rising stem as standard. Rising stem also available
- Standard flange connection: DIN (EN 1092-2) PN10 and B16.5 (class 150)  
Others available upon request
- Manual (handwheel, chainwheel, lever and bevel gear), pneumatic (single and double-acting), electric and hydraulic actuation options available
- For EU Directives and other Certificates, please see the document:  
Directives and Certificates Compliance - Knife Gate Valves - Catalogues and Datasheets



## Features:

- Wafer cast monoblock body
- Full port design for greater flow capacity and minimal pressure drop
- Stainless steel gate polished both sides to avoid jamming and seat damage
- Resilient seat with a completely new design sleeve. Two stainless steel seat rings keep the sleeve in position and also serve to guide the gate
- Long life PTFE impregnated synthetic fibre plus EPDM o-ring packing with easy access and adjustable gland follower. Wide range of packing materials available
- RAL-5015 blue epoxy-coating on all cast iron/carbon steel components
- Automated valves provided with gate guards in accordance with EU Safety Standards
- Other options: bonnets, V-ports, special materials, fabricated valves, etc.
- Actuation accessories: limit & proximity switches, mechanical stops, positioners, solenoid valves, manual overrides, locking devices, fail safe systems, stem extensions and floor stands

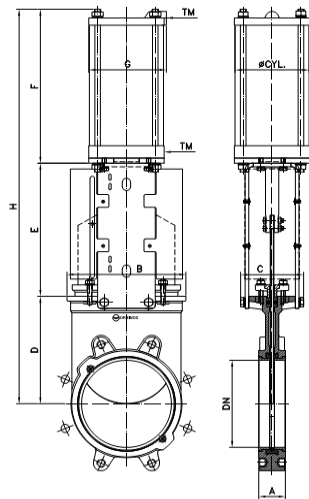
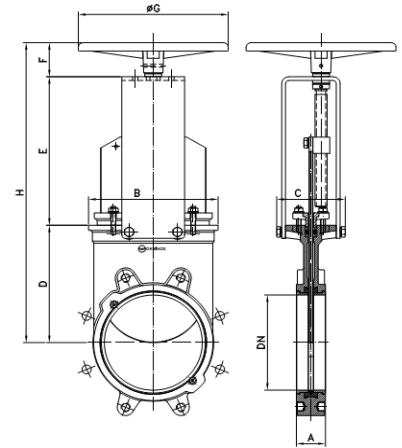


## STANDARD PARTS LIST

Part:	Ductil iron:
1 Body	EN GJS 400 (GGG40)
2 Gate	AISI 304 (1.4301)
3 Sleeve	EPDM
4 Seat Ring	AISI 304 (1.4301)
5 Packing	PTFE impreg. synth. fibre + EPDM O-Ring
6 Gland Follower	Al. (DN 50-300) or Ductile Iron (DN 350-600)
7 Stem	Stainless Steel
8 Stem Nut	Brass
9 Yoke	Epoxy-coated carbon steel
10 Axial Fixing Bushing	AISI 304 (1.4301)
11 Friction Washer	PET+ solid lubricant
12 Guide Bushing	Bronze
13 Spring Pin	AISI 420 (1.4021) (ISO 8752)
14 Handwheel	DN≤310: Aluminium (AlSi12); DN≥410 GJS400 (GGG40)

## DIMENSIONS (mm) Handwheel Non Rising Stem

DN	Pressures	A	B	C	D	E	F	ØG	H
50	10 bar	45	124	125	105	144	63	225	312
80	10 bar	50	149	125	124	177	63	225	364
100	10 bar	50	169	125	142	202	63	225	407
125	10 bar	50	190	125	165	226	63	225	454
150	10 bar	60	217	125	190	252	63	225	505
200	10 bar	60	268	142	250	317	73	310	640
250	10 bar	70	356	142	308	372	73	310	753
300	6 bar	70	396	142	360	422	73	310	855
350	6 bar	96	429	197	348	509	98	410	955
400	6 bar	100	472	197	398	559	98	410	1055
450	5 bar	106	527	270	442	611	98	550	1151
500	4 bar	110	592	270	495	671	98	550	1264
600	4 bar	110	695	270	590	771	98	550	1459



## DIMENSIONS (mm) Pneumatic Actuator (D/A)

DN	Pressures	A	B	C	D	E	F	G	H	Standard Cyl.	Connect.
50	10 bar	45	124	125	105	129	178	115	412	C100-62	1/4" G
80	10 bar	50	149	125	124	162	211	115	497	C100-95	1/4" G
100	10 bar	50	169	125	142	187	231	115	560	C100-115	1/4" G
125	10 bar	50	190	125	165	211	271	140	647	C125-143	1/4" G
150	10 bar	60	217	125	190	237	296	140	723	C125-168	1/4" G
200	10 bar	60	268	142	250	309	358	175	917	C160-220	1/4" G
250	10 bar	70	356	142	308	364	428	220	1100	C200-270	3/8" G
300	6 bar	70	396	142	360	414	478	220	1252	C200-320	3/8" G
350	6 bar	96	429	197	348	500	549	277	1397	C250-375	3/8" G
400	6 bar	100	472	197	398	550	599	277	1547	C250-425	3/8" G
450	5 bar	106	527	270	442	600	680	382	1722	C300-475	1/2" G
500	4 bar	110	592	270	495	660	730	382	1885	C300-525	1/2" G
600	4 bar	110	695	270	590	760	830	382	2180	C300-625	1/2" G

## DIMENSIONS (mm) Electric Actuator Non Rising Stem

DN	Pressures	A	B	C	D	E	F	ØG	H	I	J	L	M	Stem Ø x pitch	Torque (Nm)
50	10 bar	45	124	125	105	132	370	160	545	265	249	72	238	20 x 3	10
80	10 bar	50	149	125	124	165	422	160	597	265	249	72	238	20 x 3	10
100	10 bar	50	169	125	142	190	465	160	640	265	249	72	238	20 x 3	10
125	10 bar	50	190	125	165	214	512	160	687	265	249	72	238	20 x 3	15
150	10 bar	60	217	125	190	240	563	160	738	265	249	72	238	20 x 3	20
200	10 bar	60	268	142	250	335	726	160	901	265	249	82	238	25 x 4	30
250	10 bar	70	356	142	308	360	809	160	984	265	249	82	238	25 x 4	45
300	6 bar	70	396	142	360	410	911	160	1086	265	249	82	238	25 x 4	40
350	6 bar	96	429	197	348	487	948	200	1123	283	254	128	248	35 x 6	70
400	6 bar	100	472	197	398	537	1048	200	1223	283	254	128	248	35 x 6	90
450	5 bar	106	527	270	442	589	1144	200	1319	283	254	130	248	35 x 6	110
500	4 bar	110	592	270	495	649	1257	200	1432	283	254	130	248	35 x 6	95
600	4 bar	110	695	270	590	813	1587	315	1772	389	336	130	286	35 x 6	140

